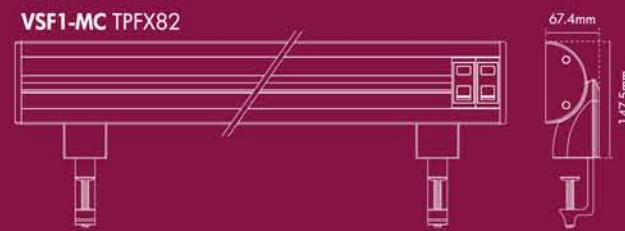


SPECIFICATIONS

VSF1-MB TPF118



VSF1-MC TPF82



PRODUCT FEATURES

Standard Length : 600mm, 800mm, 1000mm, 1200mm, 1600mm, 1800mm
 * Pre-assembled with 2 units of DS3 Datacom Socket Housing

Standard Finishing : NSB Natural Shot Blast
Customised Length : Maximum length is 3600mm
 Please contact local Agent/
 Distributor for more information

Special Finishings : WSB White Shot Blast
 THL Titanium Hair Line
 BHL Black Hair Line

Customised Length : Maximum length is 2400mm
 Please contact local Agent/
 Distributor for more information

ELECTRICAL

Rated Voltage : 250V a.c. Single-phase
Rated Current (Prewired Cable) : Total load shall not exceed individual country plug type
 • 13Amp max
 3-core 1.5mm² flexible core cable
 • 16Amp max
 3-core 2.5mm² flexible core cable
Frequency : 50Hz / 60Hz

MATERIAL

Track Material : Aluminium
Insulation Material : Polycarbonate

SIZE AND WEIGHT

VSF1-MB
Overall Dimension 60° : 95.3mm x 89.6mm (Width x Depth)
Overall Dimension 90° : 103mm x 64.6mm (Width x Depth)
Weight (Per meter) : Estimated 3.5 kilograms

VSF1-MC
Overall Dimension 60° : 140.6mm x 91mm (Width x Depth)
Overall Dimension 90° : 147.5mm x 67.4mm (Width x Depth)
Weight (Per meter) : Estimated 3.1 kilograms

WARRANTY

3 years subject to Eubiq Limited Warranty Statement

Also available in retail package

Eubiq's products are widely accepted across all sectors of residential, commercial and industrial. We work closely with international test houses for safety compliance and certification. Our products are tested by:



VSF1

POWER AND DATA TRACK

EUBIQ PTE LTD
 9 Joo Koon Crescent
 Singapore 629025
 Tel : +65 6372 9393
 Fax : +65 6372 9399
 Email : info@eubiq.com

www.eubiq.com

EUBIQ MIDDLE EAST FZCO
 FZS1 BJ03 PO Box 18524
 Jebel Ali Free Zone Dubai - UAE
 Tel : +971 4 886 0955
 Fax : +971 4 886 0956
 Email : info@eubiqme.com

www.eubiqme.com

© 2008 EUBIQ PTE LTD., SINGAPORE. DMK-002-016-02
 Product specifications are subject to change without prior notice.





VSF1-MB

POWER AND DATA TRACK

ORIENTATION



- 60° angle
- Desk mount
- Free standing



- 90° angle
- Desk mount
- Free standing

Ideal for glass, marble, steel tops application where fastening is inappropriate.



- 90° angle
- Wall mount
- Fastening with screws

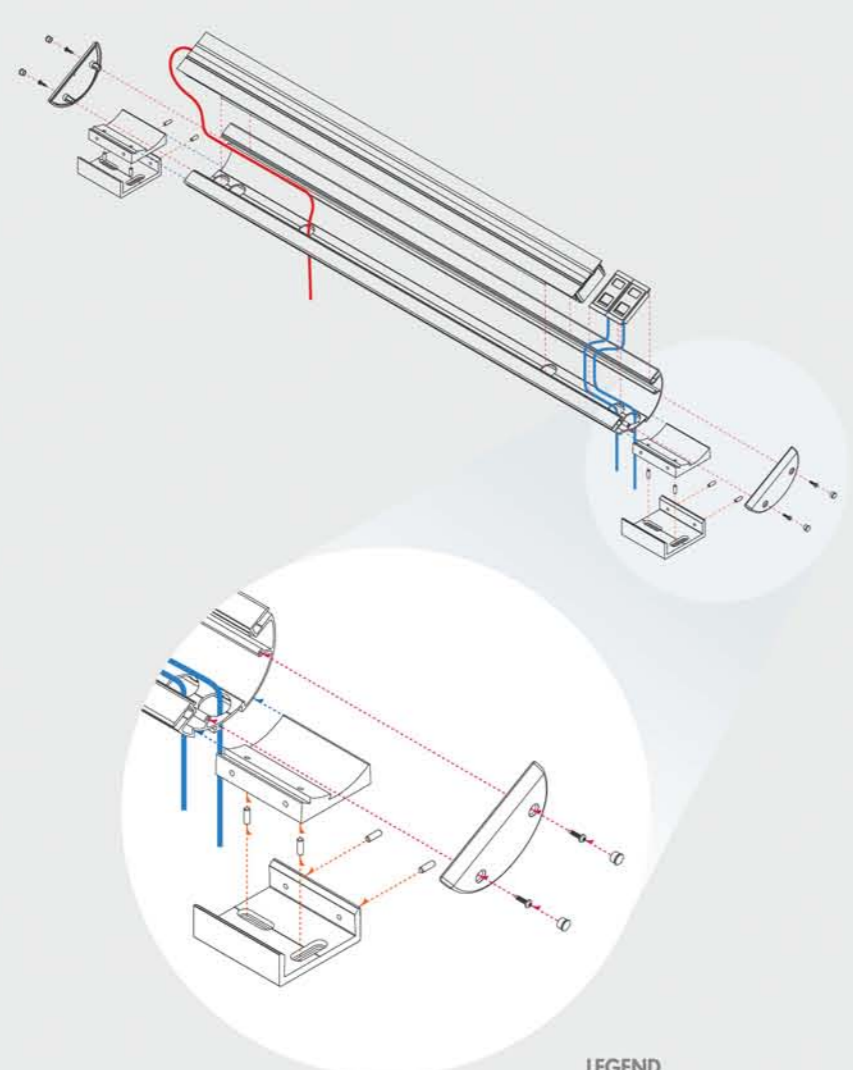


- 60° angle
- Wall mount
- Fastening with screws
- ⚠ Re-orientation of Power Track required



- 60° angle
- Under cabinet/ceiling
- Fastening with screws
- ⚠ Re-orientation of Power Track required

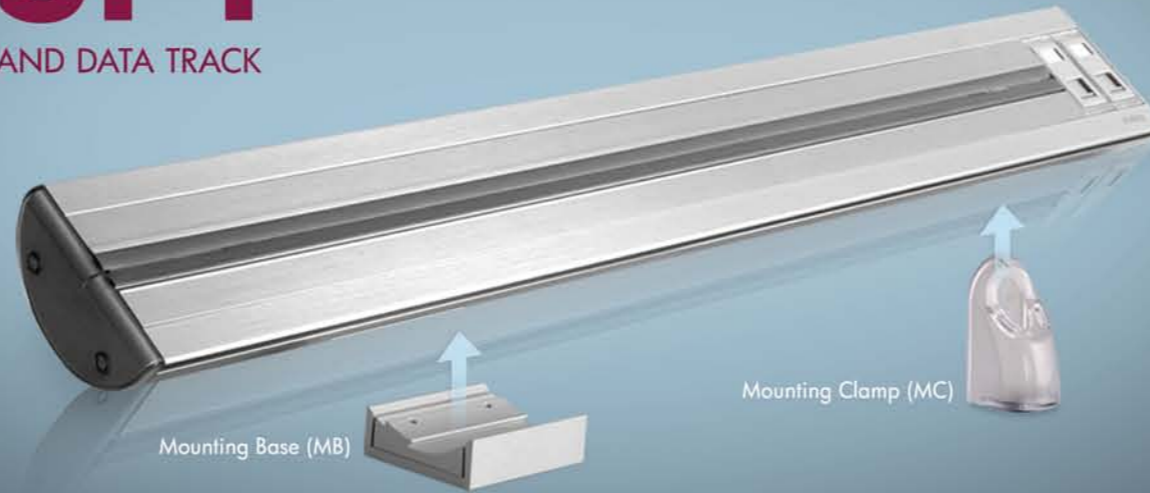
INSTALLATION



LEGEND
 Power Cable ——— Red
 Data Cable ——— Blue

VSF1

POWER AND DATA TRACK



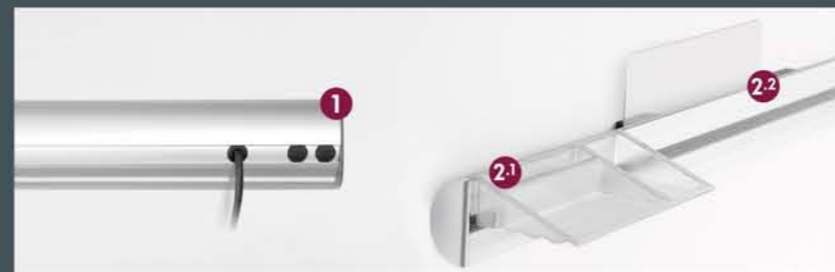
INTEGRATED POWER AND DATA SOLUTION

Designed with the Modular SFC2 GSS System Power Track, the VSF1 series is perfect for use in offices, study rooms, kitchens, living rooms and other premium space that demands easy access to power. A wide range of GSS System adaptors and accessories such as USB Charger, Surge Protector and light fittings makes the VSF1 series is the most flexible and versatile integrated solution.

FEATURES

- Premium finishing
- Unique "Plug and Play" module for easy installation
- Choice of 2 angles setting - 60° or 90° for greater flexibility
- Versatile Mounting Base (MB) for desk, wall and under cabinet mount
- Adjustable Mounting Clamp (MC) for table thickness ranging from 10mm to 60mm
- Integrated Data Socket Housing for standard data jacks and multimedia ports including optional switches and circuit breaker
- Fully compatible with all GSS System Adaptors and Accessories

AWARDS



1. **Plug & Play** : Pre-wired power cord, feed-through data solution.
2. **Accessory Rail** : 2.1 For paper tray, stationary holder and etc.
2.2 For slide-in panel, name plate, whiteboard and etc.

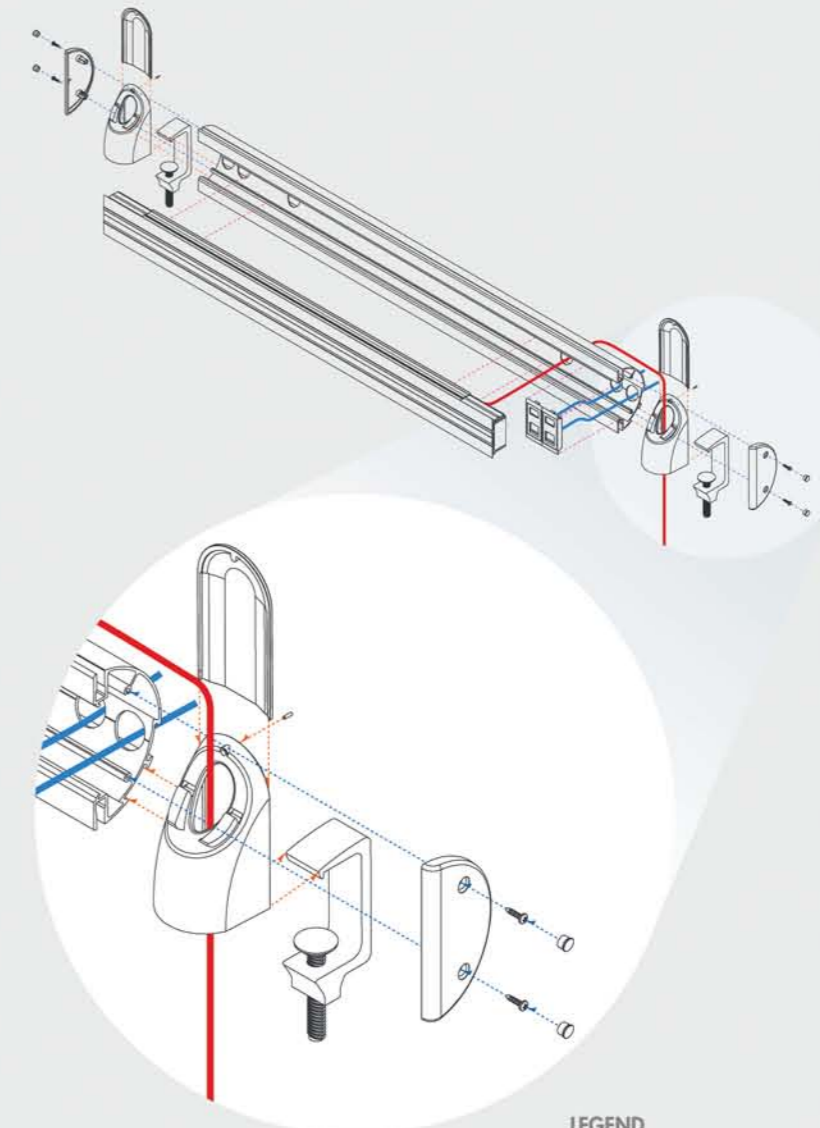
MULTIMEDIA



VSF1-MC

POWER AND DATA TRACK

INSTALLATION



LEGEND
 Power Cable ——— Red
 Data Cable ——— Blue

ORIENTATION

60° 90°

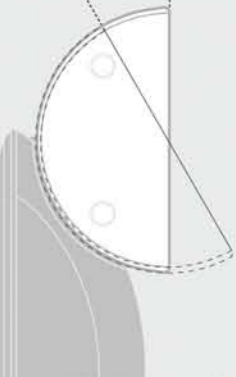


Table Thickness
Ranging 10mm - 60mm

- 60° or 90° angle
- Desk clamp

⚠ Table thickness ranging to 10mm - 60mm

Ideal for mounting on work surface (glass, marble, steel tops application) where fastening is inappropriate.